

## STRUCTURES AND SUPPORTS



## Structures and supports

For the construction of supporting structures for their plants, Soffieria Sestese mainly uses stainless steel tubular assembly with standard fittings. This type of tubular structure, very simple to prepare and assemble, is particularly suitable for the support of pilot plants and semi-industrial borosilicate glass 3.3.

Its principle relies on the use of stainless steel tubes assembled together with suitable fittings in galvanized cast iron. The tubes are placed within these couplings and fixed with the grub screw simply with the aid of an Allen wrench.

For existing plants, we selected four dimensions of reference tubes according to their outer diameter as shown in the following table:

EXTERNAL DIAMETER		WALL THICKNESS	REFERENCE
26.9 mm	3/4"	3.0 mm	5
33.7 mm	1"	3.0 mm	6
42.4 mm	1" ¼	3.0 mm	7
60.3 mm	2"	3.0 mm	9



Soffieria Sestese may alter detail specifications at its discretion and without notice, in line with its policy of continuous development.

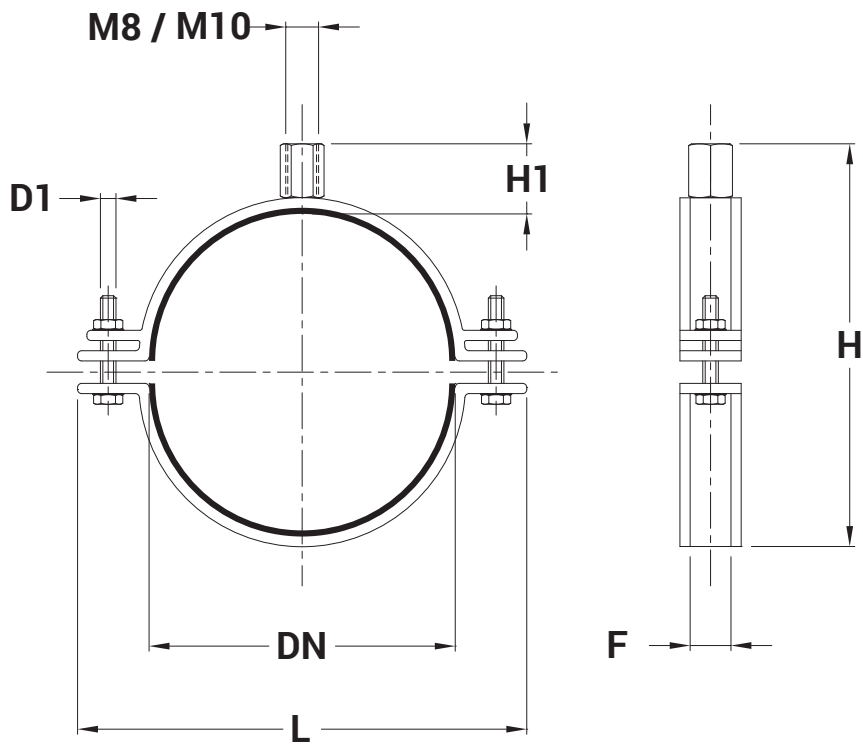
## Closed sided fittings

Closed sided fittings for the structures, shown in this page, correspond to our standard size and are normally available in our warehouse. They are finished galvanized, painted red and on request in stainless steel.

SUITABLE FOR TUBE WITH EXTERNAL DIAM.	GALVANIZED CODE	PAINTED CODE	
27 mm	SKK10/5	SKK10/5 - VERN	
33 mm	SKK10/6	SKK10/6 - VERN	
42 mm	SKK10/7	SKK10/7 - VERN	
60 mm	SKK10/9	SKK10/9 - VERN	
27 mm	SKK14/5	SKK14/5 - VERN	
33 mm	SKK14/6	SKK14/6 - VERN	
42 mm	SKK14/7	SKK14/7 - VERN	
60 mm	SKK14/9	SKK14/9 - VERN	
27 mm	SKK15/5	SKK15/5 - VERN	
33 mm	SKK15/6	SKK15/6 - VERN	
42 mm	SKK15/7	SKK15/7 - VERN	
60 mm	SKK15/9	SKK15/9 - VERN	
27 mm	SKK21/5	SKK21/5 - VERN	
33 mm	SKK21/6	SKK21/6 - VERN	
42 mm	SKK21/7	SKK21/7 - VERN	
60 mm	SKK21/9	SKK21/9 - VERN	
27 mm	SKK26/5	SKK26/5 - VERN	
33 mm	SKK26/6	SKK26/6 - VERN	
42 mm	SKK26/7	SKK26/7 - VERN	
60 mm	SKK26/9	SKK26/9 - VERN	
27 mm	SKK35/5	SKK35/5 - VERN	
33 mm	SKK35/6	SKK35/6 - VERN	
42 mm	SKK35/7	SKK35/7 - VERN	
60 mm	SKK35/9	SKK35/9 - VERN	
27 mm	SKK40/5	SKK40/5 - VERN	
33 mm	SKK40/6	SKK40/6 - VERN	
42 mm	SKK40/7	SKK40/7 - VERN	
60 mm	SKK40/9	SKK40/9 - VERN	
27 mm	SKK45/5	SKK45/5 - VERN	
33 mm	SKK45/6	SKK45/6 - VERN	
42 mm	SKK45/7	SKK45/7 - VERN	
60 mm	SKK45/9	SKK45/9 - VERN	
27 mm	SKK49/5	SKK49/5 - VERN	
33 mm	SKK49/6	SKK49/6 - VERN	
42 mm	SKK49/7	SKK49/7 - VERN	
60 mm	SKK49/9	SKK49/9 - VERN	
27 mm	SKK50/5	SKK50/5 - VERN	
33 mm	SKK50/6	SKK50/6 - VERN	
42 mm	SKK50/7	SKK50/7 - VERN	
60 mm	SKK50/9	SKK50/9 - VERN	
27 mm	SKK62/5	SKK62/5 - VERN	
33 mm	SKK62/6	SKK62/6 - VERN	
42 mm	SKK62/7	SKK62/7 - VERN	
60 mm	SKK62/9	SKK62/9 - VERN	



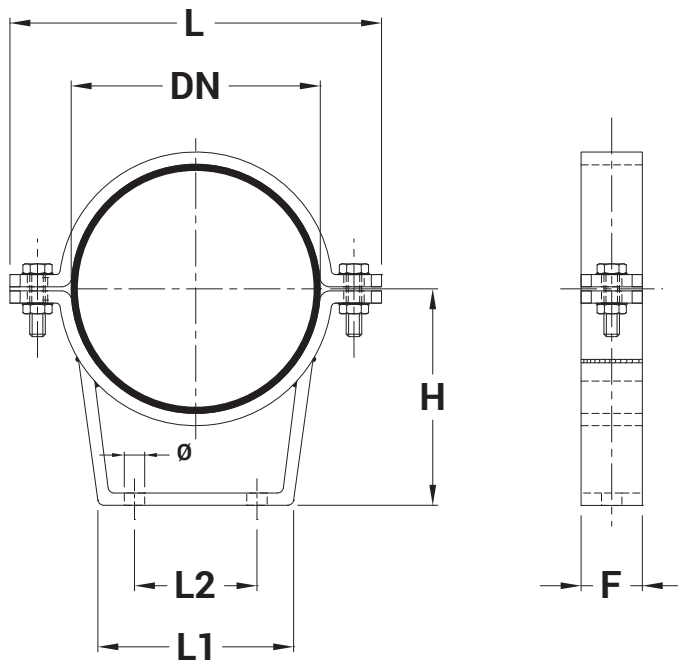
## Stainless steel pipes hangers



DN	F (CLAMP) mm	H	H1	L	D1 (CLOSURE SCREWS)	CODE
15	20x1.5	49 ÷ 56	25	68	M6x25	SGERO015AI
25	20x1.5	57 ÷ 62	25	78	M6x25	SGERO025AI
40	20x2.0	78 ÷ 82	25	101	M6x25	SGERO040AI
50	20x2.0	84 ÷ 88	25	108	M6x25	SGERO050AI
80	25x2.5	113 ÷ 118	25	136	M6x30	SGERO080AI
100	25x2.5	143 ÷ 145	25	165	M6x30	SGERO100AI
150	25x3.0	198 ÷ 202	30	225	M8x45	SGERO150AI
200	35x4.0	260 ÷ 164	30	308	M10x40	SGERO200AI



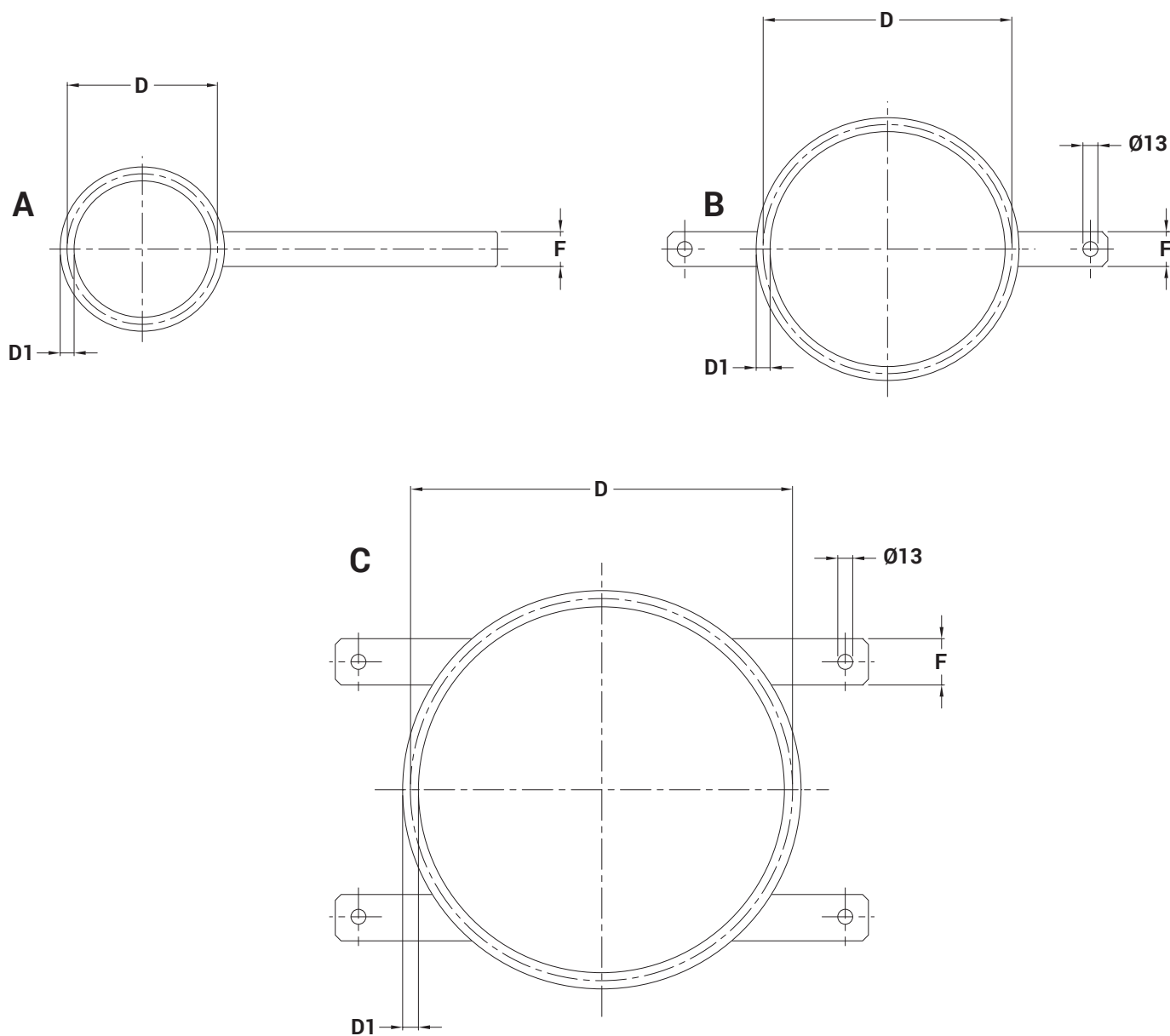
## Stainless steel support saddles



DN	L	L1	L2	H	F	Ø	CODE
150	250	130	80	130	30	10	SSUS150AI
200	300	140	95	155	30	10	SSUS200AI
300	405	250	200	230	40	10	SSUS300AI
400	510	320	230	290	40	10	SSUS400AI
450	560	350	280	315	40	10	SSUS450AI



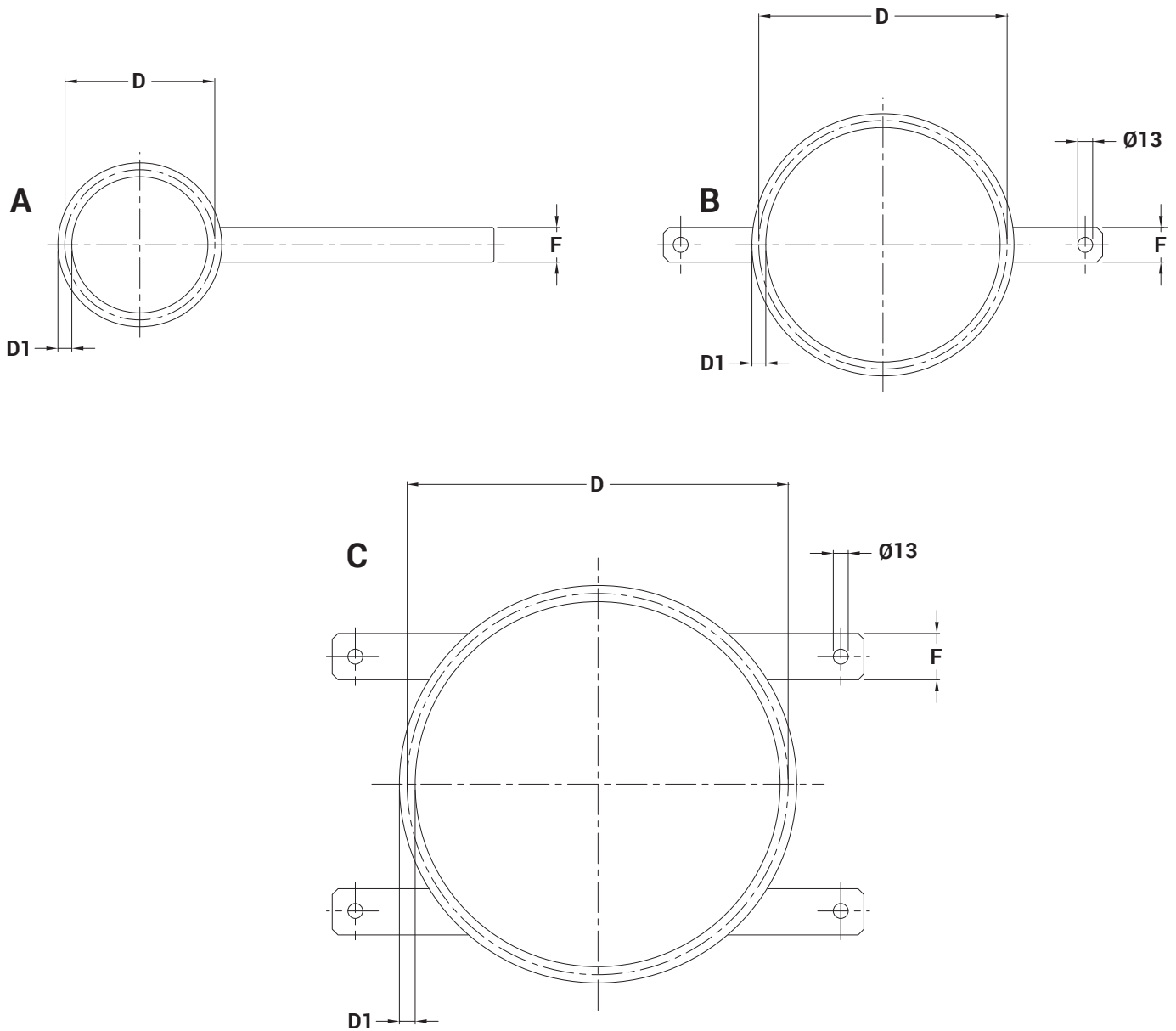
## Stainless steel support rings for spherical vessel



LITERS	D	D1	F	TYPE	CODE
5	190	12	Ø33.7x500	A	SVHP005
10	240	12	Ø33.7x500	A	SVHP010
20	280	12	N° 2 flat bar 30x8	B	SVHP020
50	360	14	N° 4 flat bar 40x8	C	SVHP050
100	460	14	N° 4 flat bar 40x10	C	SVHP100
200	550	14	N° 4 flat bar 40x10	C	SVHP200



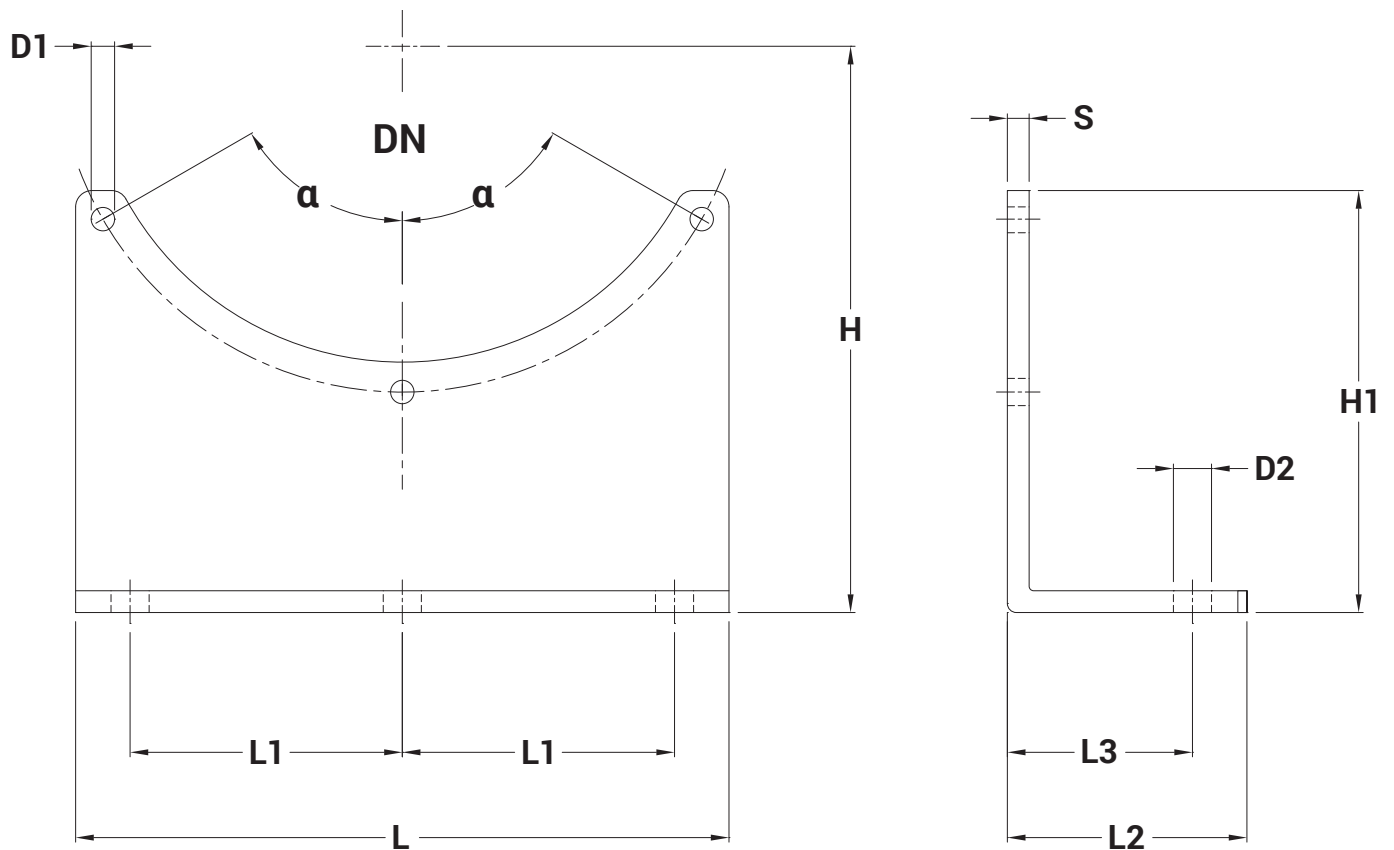
## Stainless steel support rings for cylindrical vessels



DN	D	D1	F	TYPE	CODE
150	130	12	$\text{Ø}33.7 \times 500$	A	SVHC150
200	190	12	$\text{Ø}33.7 \times 500$	A	SVHC250
200	215	12	N° 2 flat bar 30x8	B	SVHC250
300	240	12	N° 2 flat bar 30x8	B	SVHC300
400	330	14	N° 4 flat bar 40x8	C	SVHC400
450	360	14	N° 4 flat bar 40x8	C	SVHC450



## Stainless steel angled support brackets

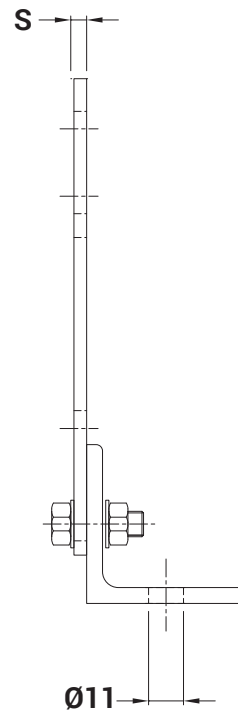
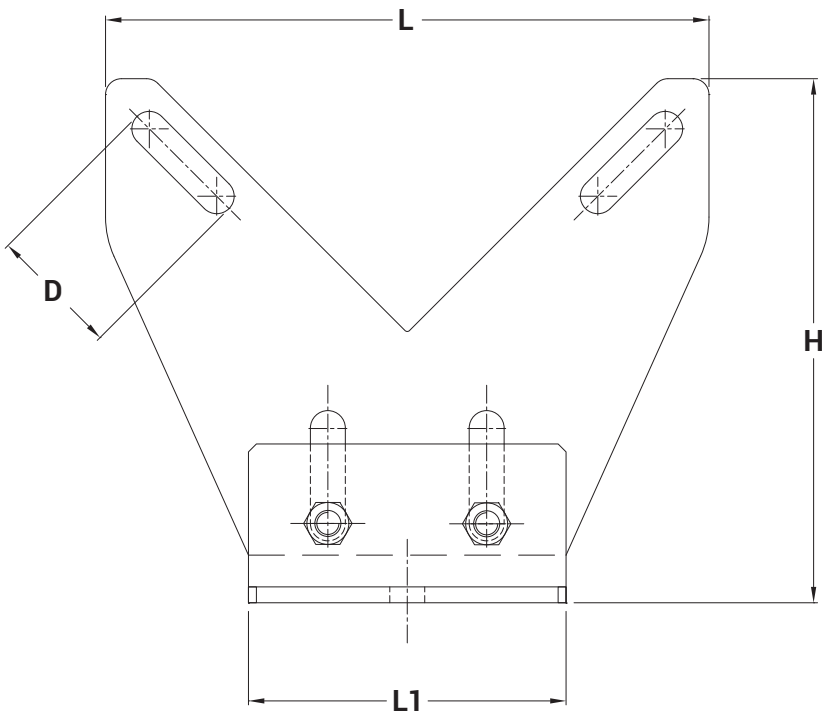
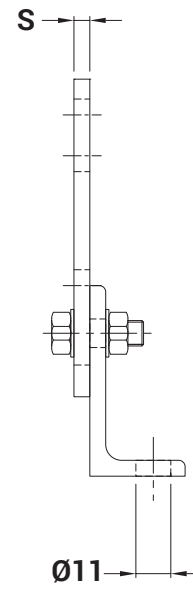
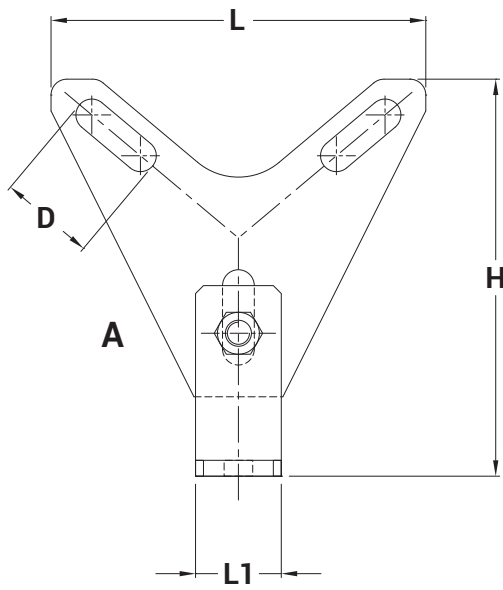


DN	H	H1	L	L1	L2	L3	S	D1	D2	$\alpha$ (°)	CODE
150	208	150	240	100	88	68	8	10	14	60°	SSUA150AI
200	243	154	200	100	88	68	8	10	14	45°	SSUA200AI
300	293	119	240	100	88	68	8	10	14	30°	SSUA300AI





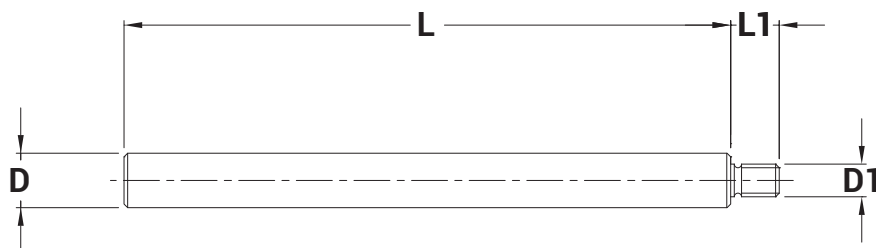
# Stainless steel column support brackets



DN	H	L	L1	S	D	TYPE	CODE
25/40/50	100	118	28	5	N° 3 10x30	A	SFOU25/50
80/100/150	150	190	100	5	N° 3 11x40	B	SFOU80/150



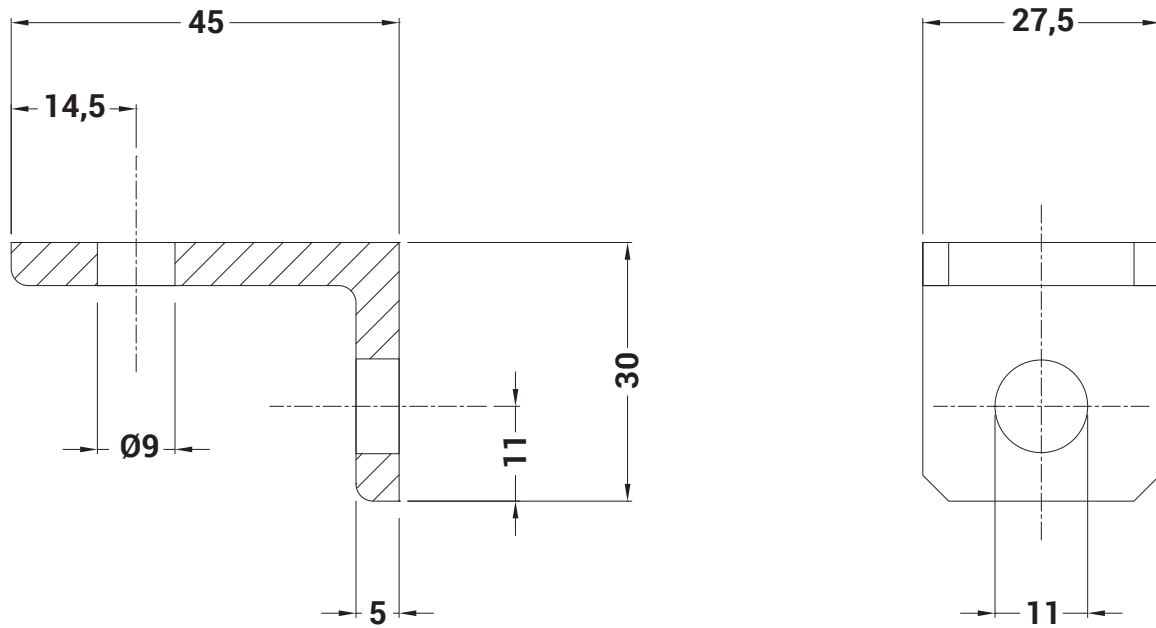
## Stainless steel support rods



D	D1	L	L1	CODE
Øe. 12	M8	400	15	STUS5/08
Øe. 12	M10	400	15	STUS5/10
Øe. 12	M12	400	18	STUS5/12



## Angle brackets

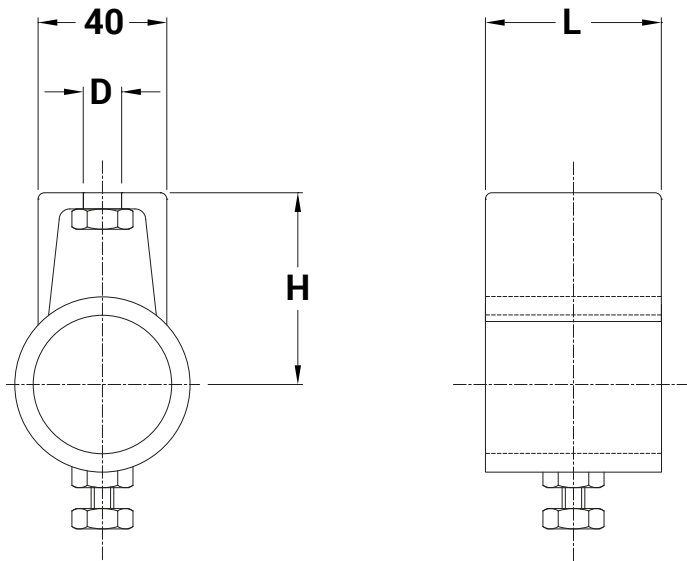


**MATERIAL**  
Stainless steel

**CODE**  
SGEWI 8/12AI



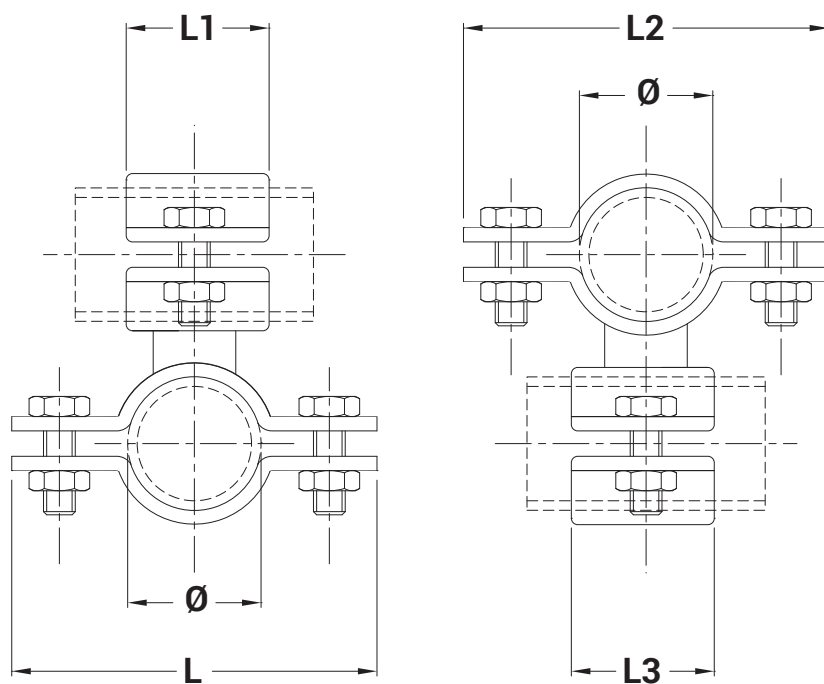
## Connecting clamps



FOR TUBE	H	L	D	GALVANIZED CODE	PAINTED CODE	STAINLESS STEEL CODE
1"	50	40	M12	SGEHA6/12	SGEHA6/12 - VERN	SGEHA6/12AI
1 ¼"	55	40	M12	SGEHA7/12	SGEHA7/12 - VERN	SGEHA7/12AI
2"	60	50	M16	SGEHA8/12	SGEHA8/12 - VERN	SGEHA8/12AI



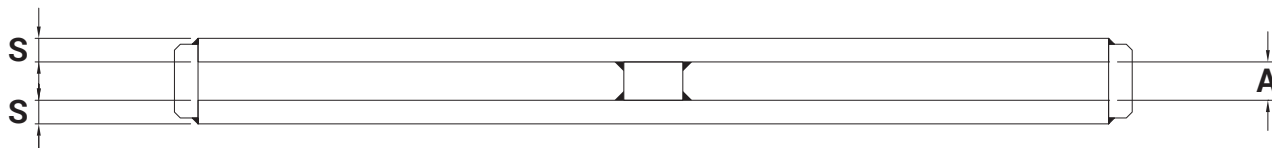
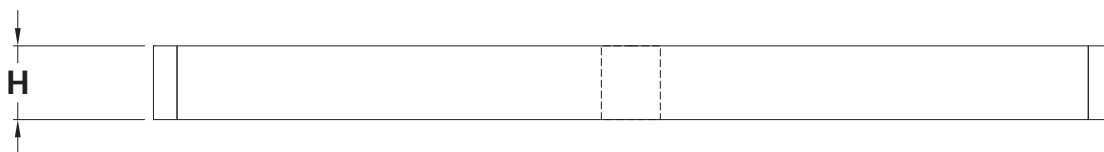
## Crossover open clamps



$\emptyset$ TUBE	L	L1	L2	L3	GALVANIZED CODE	PAINTE CODE	STAINLESS STEEL CODE
1" x 1"	95	35	95	35	MOS6.33x33	MOS6.33x33 - VERN	MOS6.33x33AI
1" $\frac{1}{4}$ x 1" $\frac{1}{4}$	115	45	115	45	MOS7.42x42	MOS7.42x42 - VERN	MOS7.42x42AI
1" $\frac{1}{4}$ x 1"	115	45	95	35	MOS7/6.42x33	MOS7/6.42x33 - VERN	MOS7/6.42x33AI
1" $\frac{1}{2}$ x 1"	120	45	95	35	MOS7/8.48x42	MOS7/8.48x42 - VERN	MOS7/8.48x42AI
1" $\frac{1}{2}$ x 1" $\frac{1}{2}$	120	45	120	45	MOS8/9.48x48	MOS9.48x48 - VERN	MOS9.48x48AI

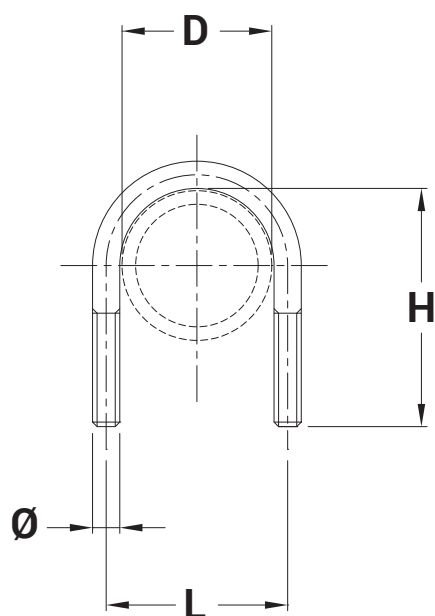


# Coulisse and U-bolt supports



## Stainless steel coulisse support

A	H	S	CODE
13	25	5	SCOU25x5xL.....

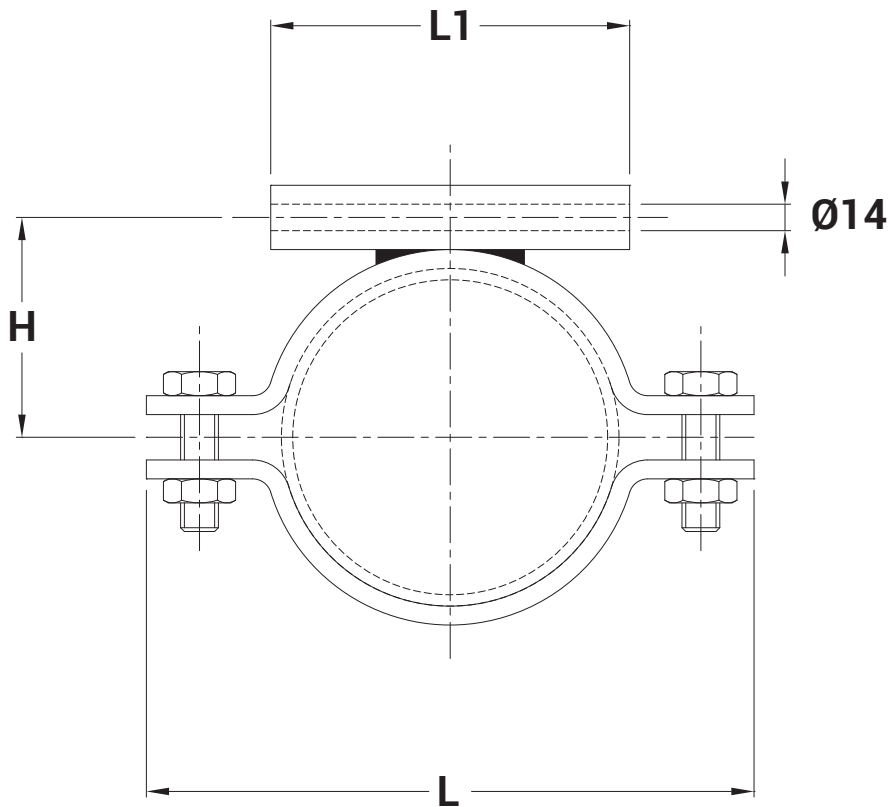


## Stainless steel U-bolt support

D	L	H	Ø	CODE
1"	40	52	M6	SCVL33AI
1" ¼	51	68	M8	SCVL42AI
2"	69	85	M8	SCVL60AI



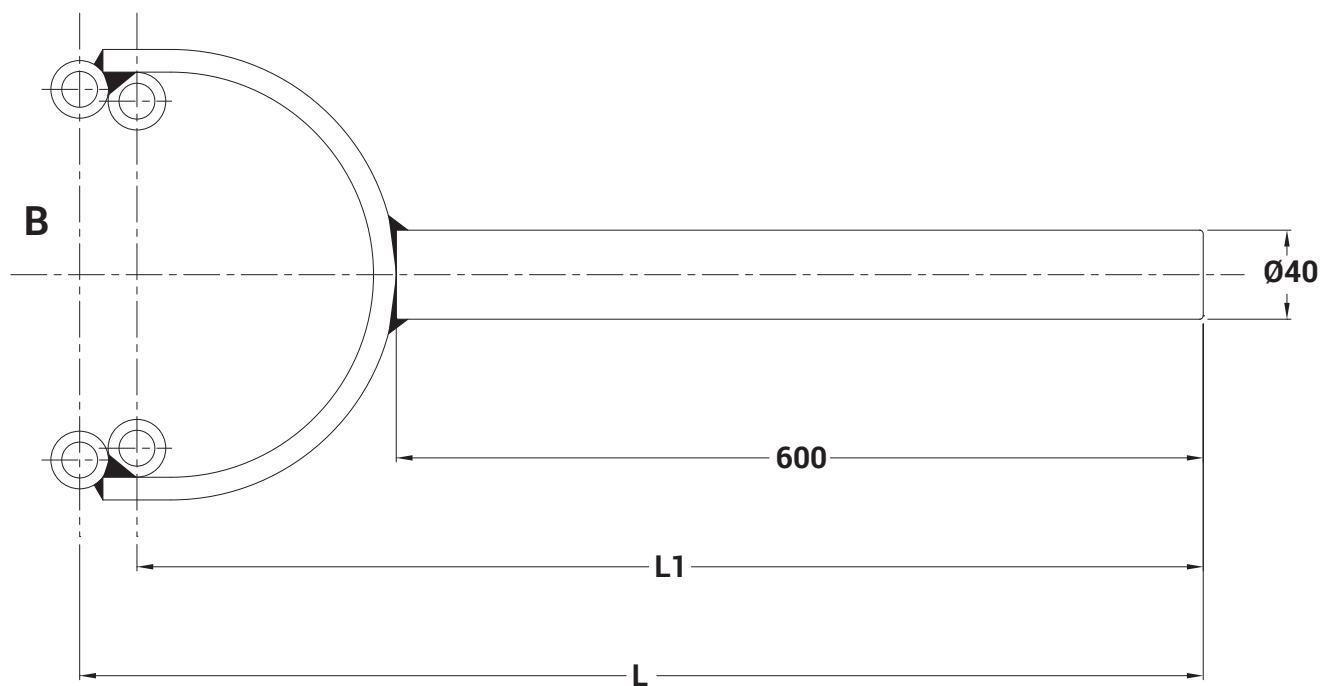
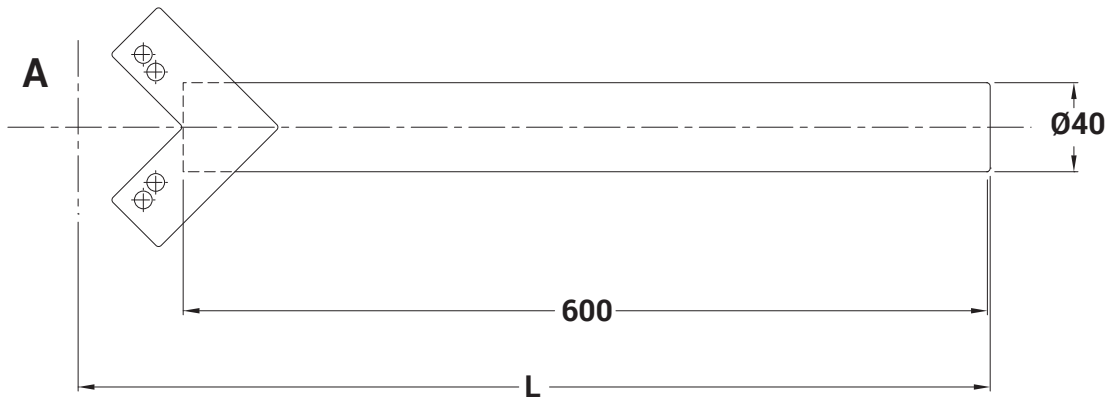
## Clamp collars



FOR TUBE	H	L	L1	GALVANIZED CODE	PAINTED CODE	STAINLESS STEEL CODE
1"	32	94	40	SGEBE12/6	SGEBE12/6 - VERN	SGEBE12/6AI
1" ¼	40	106	40	SGEBE12/7	SGEBE12/7 - VERN	SGEBE12/7AI
2"	46	126	40	SGEBE12/8	SGEBE12/8 - VERN	SGEBE12/8AI



## Fork brackets

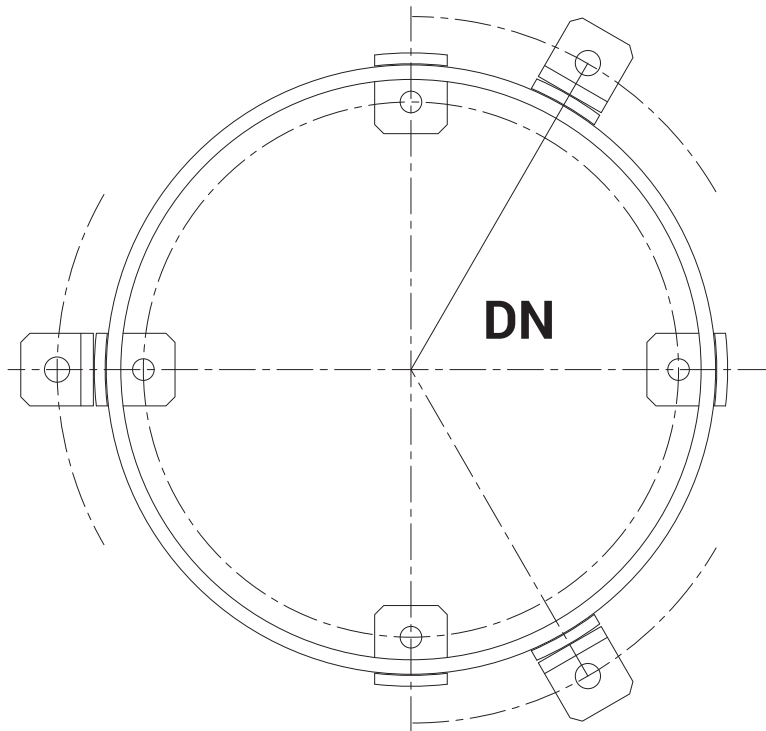
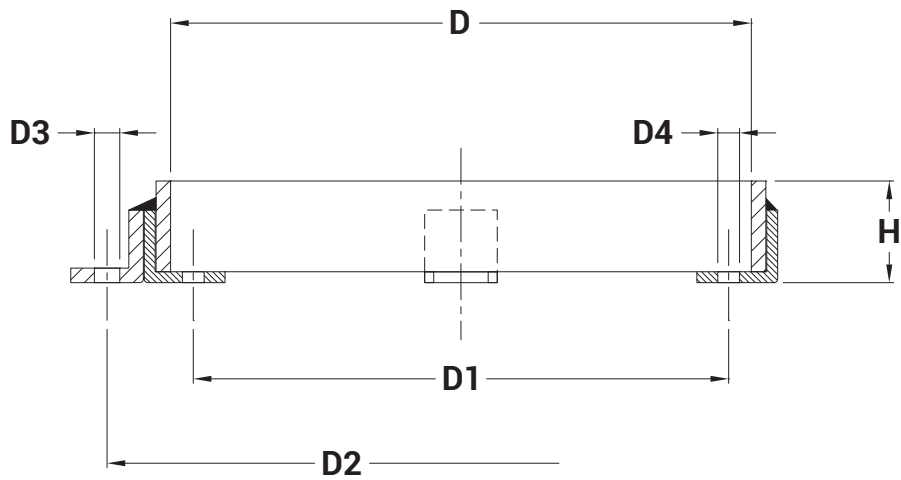


DN	L	L1	TYPE	GALVANIZED CODE	STAINLESS STEEL CODE
15 - 25	665 - 675	-	A	SGEGA015/025	SGEGA015/025AI
40 - 50	690 - 700	-	A	SGEGA040/050	SGEGA040/050AI
80	696	715	B	SGEGA080	SGEGA080AI
100	706	725	B	SGEGA100	SGEGA100AI
150	736	755	B	SGEGA150	SGEGA150AI
200	763	782	B	SGEGA200	SGEGA200AI





## Support rings



DN	D	D1	D2	D3	D4	H	GALVANIZED CODE	STAINLESS STEEL CODE
150	260	225	335	N° 3014	N° 4012	56	SGETR150	SGETR150AI
200	320	295	390	N° 3014	N° 4012	56	SGETR200	SGETR200AI
300	360	495	620	N° 3018	N° 4012	60	SGETR300	SGETR300AI



